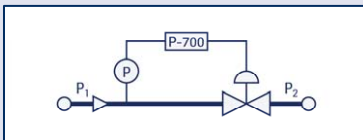


Datasheet P-702CV

Digital Pressure Controller for Gases and Liquids

> Introduction

High-Tech model P-702CV digital electronic pressure controllers have a well-proven compact thru-flow design. The instruments include a diaphragm type piezo-resistive pressure sensor for pressure measurement and a direct acting, solenoid control valve. The pressure controller performs with high accuracy and repeatability. EL-PRESS model P-702CV is a "back pressure controller", designed for upstream (P_1) pressure control.



EL-PRESS Pressure Controller model P-702CV

> Technical specifications

Measurement / control system

Accuracy (incl. linearity and hysteresis)	: $\pm 0,5\%$ of full scale (FS)
Pressure control rangeability	: 1 : 5 (with flow range 1 : 50)
Repeatability	: $\leq 0,1\%$ RD
Response time sensor	: 2 msec
Max. Kv-value	: $6,6 \times 10^{-2}$
Control stability	: $\leq \pm 0,05\%$ FS (typical for 1 l _n /min N ₂ at specified process volume)
Operating temperature	: -10...+70°C
Temperature sensitivity	: 0,1% FS/°C
Leak integrity	: tested $< 2 \times 10^{-9}$ mbar l/s He
Attitude sensitivity (at 90° change)	: $< 0,3$ mbar
Warm-up time	: negligible

Mechanical parts

Material (wetted parts)	: stainless steel 316L or comparable
Surface quality (wetted parts)	: Ra = 0,8 μ m
Process connections	: compression type or face seal couplings
Seals	: standard: Viton options: EPDM, FFKM (Kalrez)
Ingress protection (housing)	: IP40

Calibration

References verified by an ISO 17025 calibration laboratory, directly traceable to Duchth and international standards.

Although all specifications in this datasheet are believed to be accurate, the right is reserved to make changes without notice or obligation.

Electrical properties

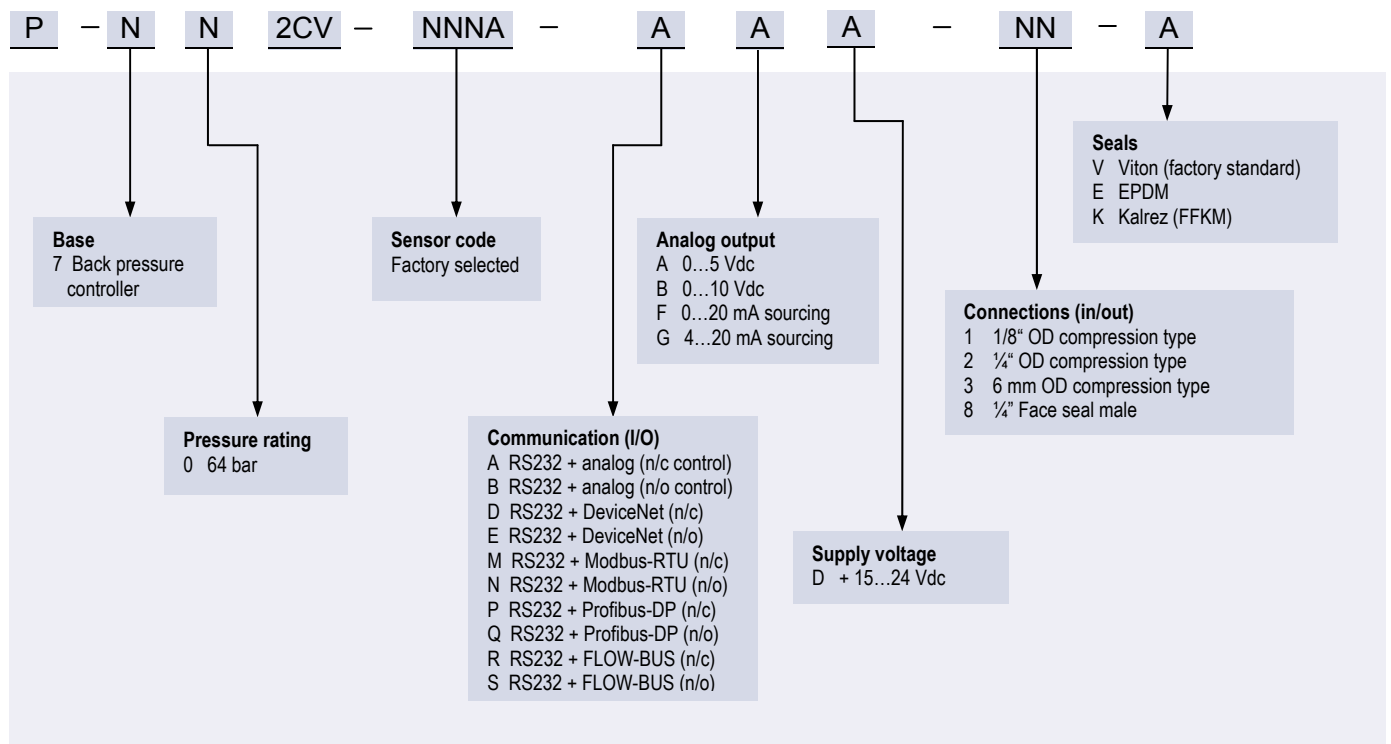
Power supply	: +15...24 Vdc
Power consumption	: max. 385 mA; add 50 mA for Profibus, if applicable
Analog output	: 0...5 (10) Vdc, min. load impedance > 2 k Ω ; 0 (4)...20 mA (sourcing), max. load impedance $< 375 \Omega$
Analog setpoint	: 0...5 (10) Vdc, min. load impedance > 100 k Ω ; 0 (4)...20 mA, load impedance $\sim 250 \Omega$
Digital communication	
Standard (9-pin D-conn. male)	: RS232
By optional interface board	: Profibus-DP [®] , DeviceNet [™] , Modbus-RTU, FLOW-BUS
Electrical connection	
Analog/RS232	: 9-pin D-connector (male);
Profibus-DP [®]	: bus: 9-pin D connector (female); power: 9-pin D-connector (male);
DeviceNet [™]	: 5-pin M12-connector (male);
Modbus-RTU/FLOW-BUS	: RJ45 modular jack

> Sensor codes, ranges and burst pressure

Sensor code	Pressure ranges	Burst pressure
350A (Absolute pressure)	100 ... 350 mbara	1,4 bara
1K1A	0,35 ... 1,1 bara	3,1 bara
6K0A	1,1 ... 6bara	10,5 bara
20KA	6 ... 20 bara	62 bara
M10A	20 ... 64 bara	200 bara
350R (Relative pressure)	100 ... 350 mbarg	1,4 barg
1K1R	0,35 ... 1,1 barg	3,1 barg
6K0R	1,1 ... 6 barg	10,5 barg
20KR	6 ... 20 barg	62 barg

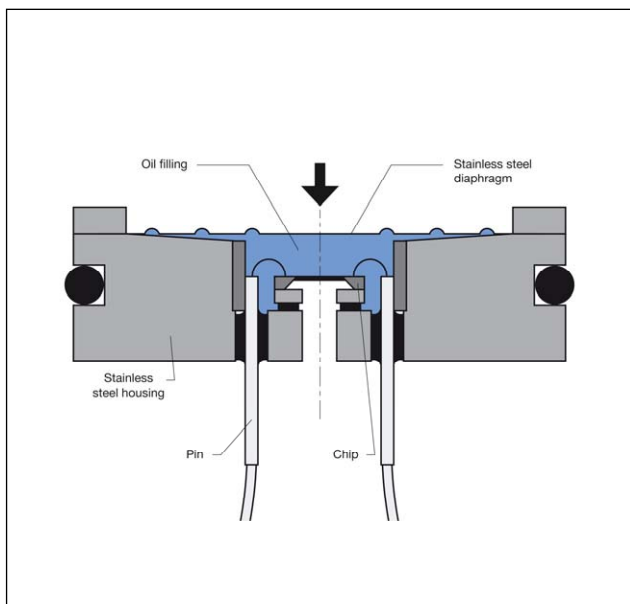
По вопросам продаж и поддержки обращайтесь:
Волгоград (844)278-03-48, Воронеж (473)204-51-73, Екатеринбург (343)384-55-89, Казань (843)206-01-48,
Краснодар (861)203-40-90, Красноярск (391)204-63-61, Москва (495)268-04-70, Нижний Новгород (831)429-08-12,
Новосибирск (383)227-86-73, Ростов-на-Дону (863)308-18-15, Самара (846)206-03-16, Санкт-Петербург (812)309-46-40, Саратов
(845)249-38-78, Уфа (347)229-48-12
Единый адрес: brk@nt-rt.ru
Веб-сайт: steamflow.nt-rt.ru

> Model number identification



> Measuring principle

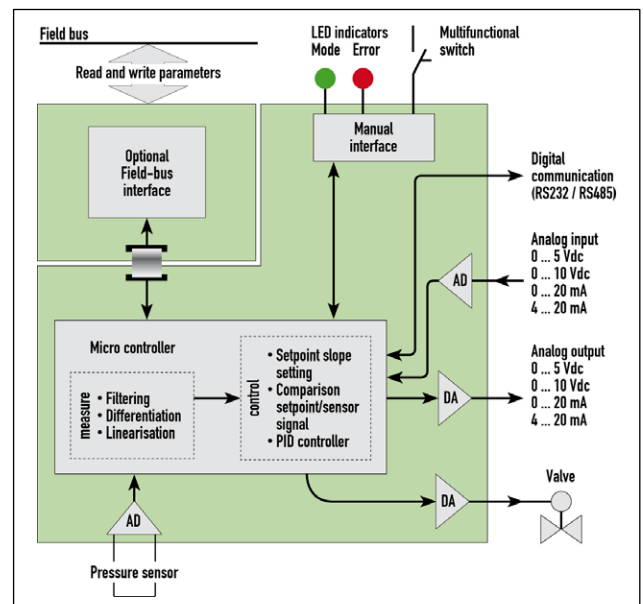
The High-Tech EL-PRESS pressure sensor is a piezo-resistive bridge on the surface of a silicon chip, with a pressure diaphragm, whose thickness determines the pressure range. When a pressure acts on this chip, the diaphragm flexes, and the resistor values of the bridge alter in proportion to the pressure. The measuring cell is separated from the external pressure by a thin, sensitive stainless steel diaphragm, and the sealed off cavity between diaphragm and cell is filled with oil. Since the standard oil filling is flammable, advises to take precautions when oxygen or any other explosive fluid is used.



Functional scheme of the pressure sensor

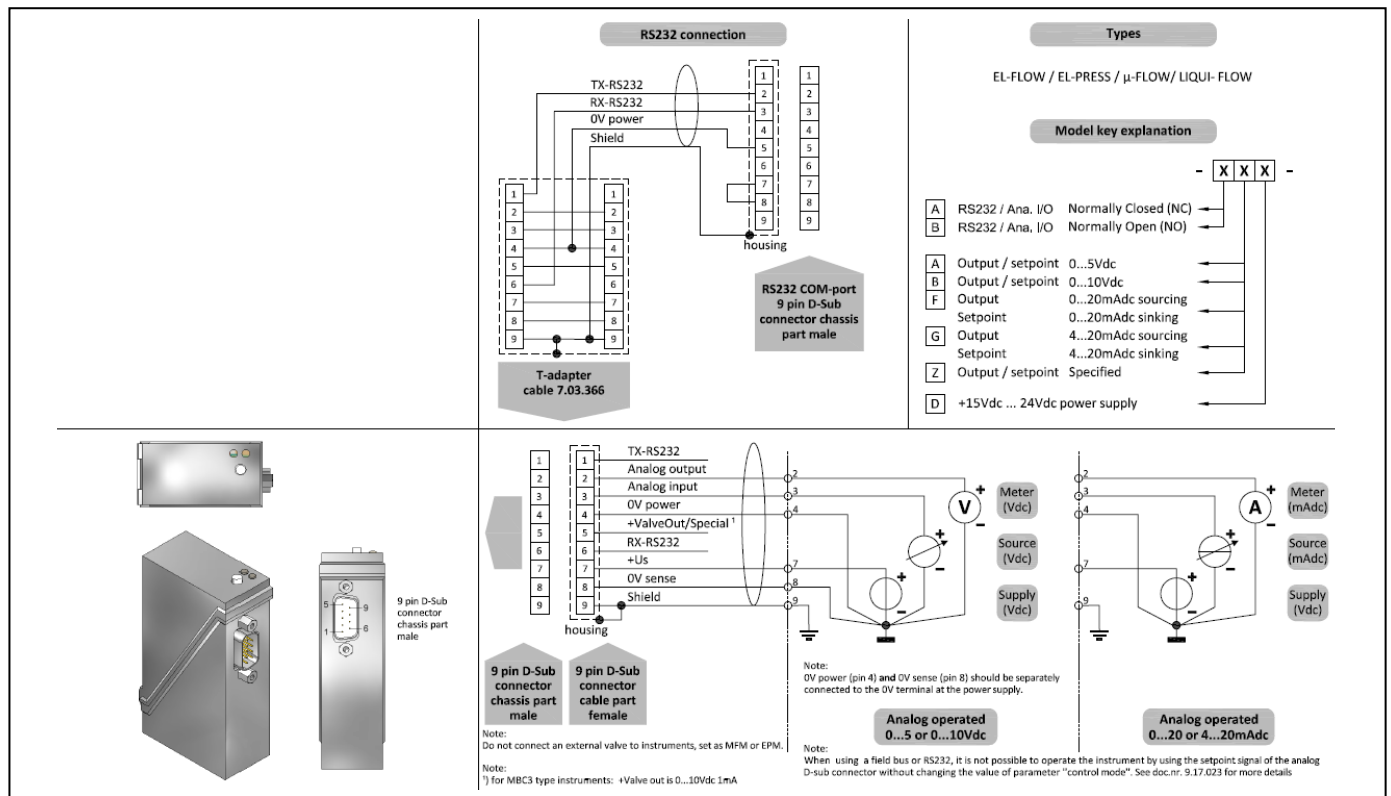
> State of the art digital design

Today's EL-PRESS series are equipped with a diaphragm type piezoresistive pressure sensor and a digital pc-board, offering high accuracy, excellent temperature stability and fast response. The basic digital pc-board contains all of the general functions needed for measurement and control. In addition to the standard RS232 and RS485 output, the instruments also offer analog I/O. Furthermore, an optionally integrated interface board provides DeviceNet™, Profibus-DP®, Modbus-RTU or FLOW-BUS protocols via a separate connector.

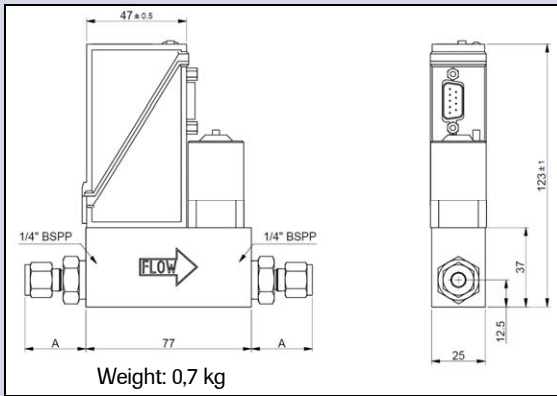


Functional scheme of the digital PC-board

> Hook-up diagram for analog or RS232 communication



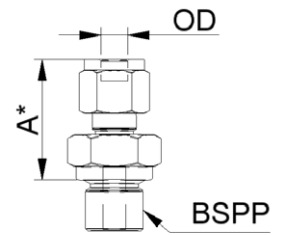
> Dimensions (mm) and weight (kg)



Dimension table adapters (RS-type)




Compression type	1/4" BSPP	
	Size A	
adapter 3 mm OD	26.1	
adapter 6 mm OD	28.4	
adapter 8 mm OD	29.4	
adapter 10 mm OD	30.2	
adapter 12 mm OD	32.5	
adapter 1/8" OD	26.1	
adapter 1/4" OD	28.4	
adapter 3/8" OD	29.9	
adapter 1/2" OD	32.7	
Face-seal male		
adapter 1/4" inlet	23.2	

Compression type







*) Dimension A is typical finger-tight.

> Options and accessories

- Free software support for operation, monitoring, optimizing or to interface between digital instruments and windows software.	
- BRIGHT compact local Readout/Control modules - E-5700 / E-7000 Power Supply	
- Interconnecting cables for power and analog/digital communication	

> Alternatives

- IN-PRESS Pressure Meter with industrial (IP65) housing with close coupled Control Valve	
- IQ ⁺ FLOW, world's smallest Pressure Controller	
- EL-PRESS Metal Sealed Pressure Controller for Semiconductor or other high purity applications	
- Pre-assembled multi-channel solutions (mass flow, pressure or combinations): series FLOW-SMS	

По вопросам продаж и поддержки обращайтесь:

Архангельск (8182)63-90-72
Астана +7(7172)727-132
Астрахань (8512)99-46-04
Барнаул (3852)73-04-60
Белгород (4722)40-23-64
Брянск (4832)59-03-52
Владивосток (423)249-28-31
Волгоград (844)278-03-48
Вологда (8172)26-41-59
Воронеж (473)204-51-73
Екатеринбург (343)384-55-89
Иваново (4932)77-34-06
Ижевск (3412)26-03-58
Иркутск (395) 279-98-46
Киргизия (996)312-96-26-47

Казань (843)206-01-48
Калининград (4012)72-03-81
Калуга (4842)92-23-67
Кемерово (3842)65-04-62
Киров (8332)68-02-04
Краснодар (861)203-40-90
Красноярск (391)204-63-61
Курск (4712)77-13-04
Липецк (4742)52-20-81
Магнитогорск (3519)55-03-13
Москва (495)268-04-70
Мурманск (8152)59-64-93
Набережные Челны (8552)20-53-41
Нижний Новгород (831)429-08-12
Казахстан (772)734-952-31

Новокузнецк (3843)20-46-81
Новосибирск (383)227-86-73
Омск (3812)21-46-40
Орел (4862)44-53-42
Оренбург (3532)37-68-04
Пенза (8412)22-31-16
Пермь (342)205-81-47
Ростов-на-Дону (863)308-18-15
Рязань (4912)46-61-64
Самара (846)206-03-16
Санкт-Петербург (812)309-46-40
Саратов (845)249-38-78
Севастополь (8692)22-31-93
Симферополь (3652)67-13-56
Таджикистан (992)427-82-92-69

Смоленск (4812)29-41-54
Сочи (862)225-72-31
Ставрополь (8652)20-65-13
Сургут (3462)77-98-35
Тверь (4822)63-31-35
Томск (3822)98-41-53
Тула (4872)74-02-29
Тюмень (3452)66-21-18
Ульяновск (8422)24-23-59
Уфа (347)229-48-12
Хабаровск (4212)92-98-04
Челябинск (351)202-03-61
Череповец (8202)49-02-64
Ярославль (4852)69-52-93